



I. K. ELECTRICAL

www.ikelectrical.com

Suite 9, 4/6, Irshad Palace, Versova Street,
Behind Zahoor Sweets, Nagpada, Mumbai - 400 008.
Tel. : 022 23099800 | E-mail : zakira@ikelectrical.com



I. K. ELECTRICAL

www.ikelectrical.com

CBB60 AC MOTOR CAPACITOR

Motor run capacitors features :

- ▶ Non induction winding structure of metallic polypropylene membrane.
- ▶ It is small in bulk, has long life-span and good self-healing characteristic. High insulating resistance, little temperature changing inside, excellent stability of capacitance.
- ▶ Non-toxic and non-leaking, profit environmental protection.

Motor run capacitor alternate design include the followings :

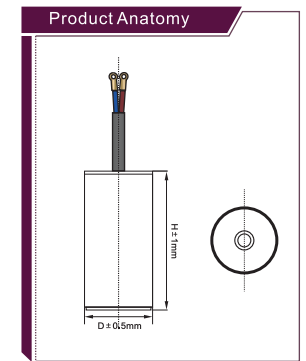
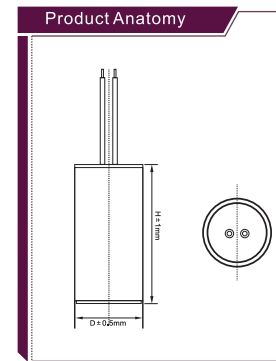
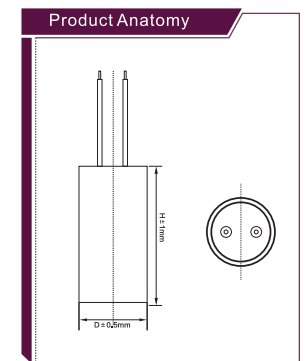
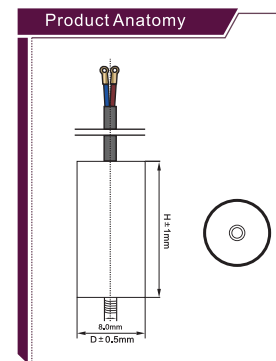
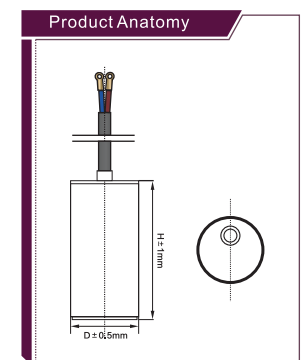
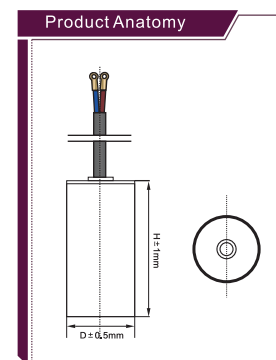
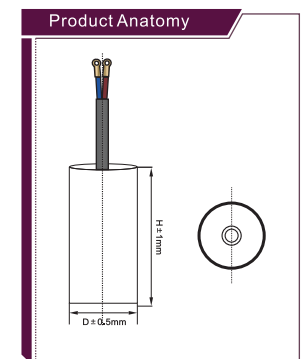
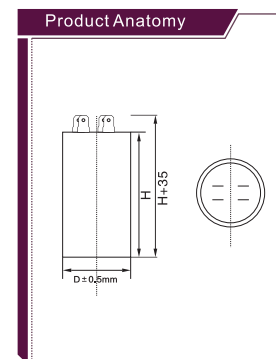
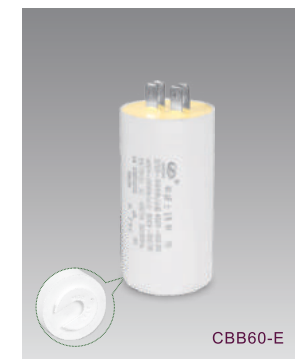
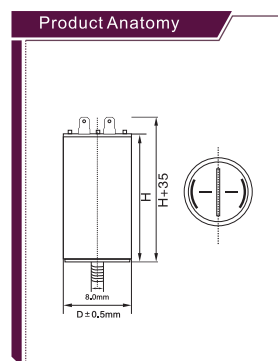
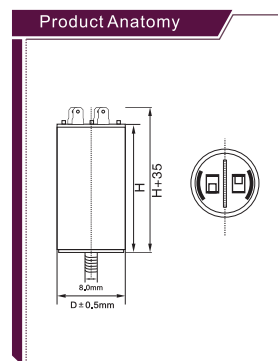
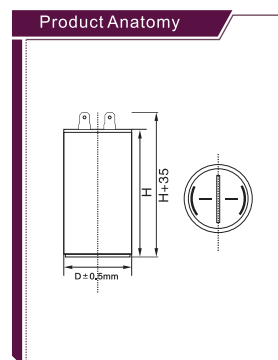
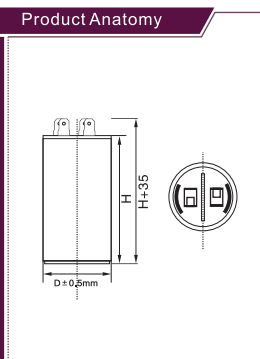
- ▶ Use round plastic shell, and insulation sealed lid for sealing, plastic lid For sealing or resin for sealing.
- ▶ Flat bottom or fixing stud M8*12
- ▶ Fasten terminals, Lug, wire, cable.
- ▶ Plastic can, ABS ,PC.

Usages :

- ▶ Suitable for starting and operating 50Hz(60Hz)AC single-phase electromotor.
- ▶ Widely used as the start-up and running capacitor that is special for microwater pump, cleaning machine, washing machine, and single-phase household electrical appliances.

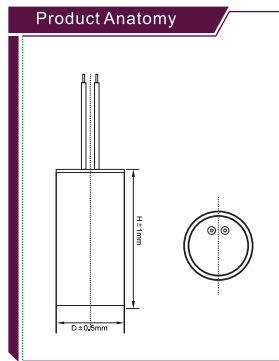
Motor run capacitor specification :

Capacitance range: .	1-100mfd
Capacitance tolerance:	± 5%, ± 10%
Rated Alternate Voltage:	250v,370v,400v,450v
Rated frequency:	50/60Hz
Operating temp	40/85/21
Insulation Resistance:	T-T ≥ 3000MΩ.uf(20°C,100VDC) T-T ≥ 2000MΩ.uf(20°C,100VDC)
Dissipation Factor:	Tan δ ≤ 0.002 (100Hz,20°C)
Approvals	UL,TUV,CE
Endurance Voltage:	Between the eletrodes:2.0Un2S Between the eletrode and the shell:2000vac 2S

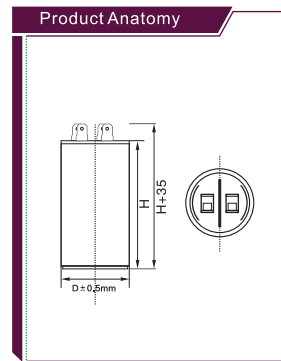




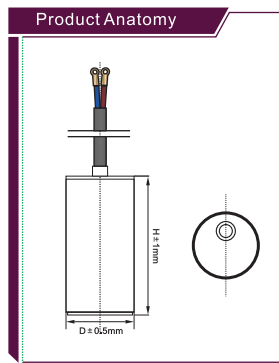
CBB60-M



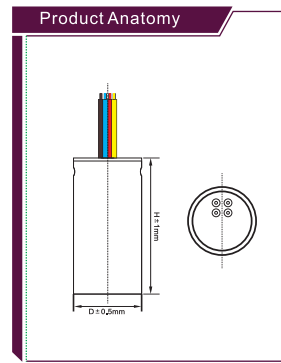
CBB60-N



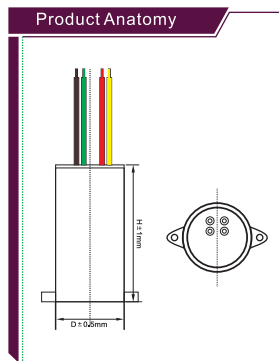
CBB60-O



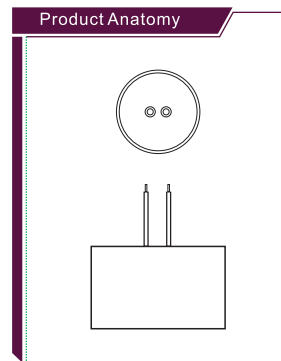
CBB60-P



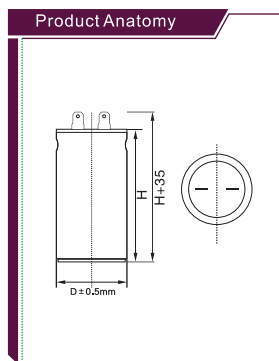
CBB60-Q



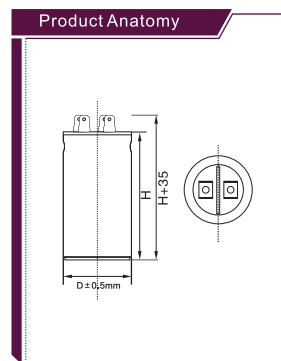
CBB60-R



CBB60-S



CBB60-T



Motor Run Capacitor Dimensions:

Capacity (uf)	450VAC		250VAC	
	D(mm)	H(mm)	D(mm)	H(mm)
1uf	30	60	30	60
2uf	30	60	30	60
3uf	30	60	30	60
4uf	30	60	30	60
5uf	30	60	30	60
6uf	30	60	30	60
7uf	30	60	30	60
8uf	35	60	30	60
9uf	35	60	30	60
10uf	35	60	30	60
12uf	35	70	30	60
14uf	35	70	30	60
15uf	40	70	35	60
16uf	40	70	35	60
18uf	40	70	35	60
20uf	40	70	35	60
25uf	45	70	35	70
30uf	45	70	40	70
35uf	45	93	40	70
40uf	45	93	40	70
45uf	50	92	45	70
50uf	50	92	45	70
55uf	50	92	45	93
60uf	50	100	45	93
70uf	50	120	50	92
80uf	55	120	50	92
90uf	55	120	50	100
100uf	55	120	50	100

2(4) pins cable type

Capacity (uf)	450VAC	
	D(mm)	H(mm)
10+5uf	40	100
10+6uf	40	100
12+5uf	40	100
12+6uf	40	100
13+5uf	40	100
14+5uf	40	100
14+6uf	40	100

PACKING OPTIONS:



Packing one: Packed with card slot



Packing two: Packed with individual box



Packing three: Packed with 10pcs/box

- ▶ Several terminals you can choose, like pins, wire and cable
- ▶ The Specification Can Be According To Your Requirements Always Some Section Suits You

Motor Run Capacitor Dimensions:

	Capacity (uf)	450VAC		250VAC	
		D(mm)	H(mm)	D(mm)	H(mm)
2(4)pins cable type with screw	1uf	30	57	30	57
	2uf	30	57	30	57
	3uf	30	57	30	57
	4uf	30	57	30	57
	5uf	30	57	30	57
	6uf	30	57	30	57
	7uf	30	57	30	57
	8uf	35	65	30	57
	9uf	35	65	30	57
	10uf	35	65	30	57
	12uf	35	65	35	65
	14uf	35	65	35	65
	15uf	40	70	35	65
	16uf	40	70	35	65
	18uf	40	70	35	65
	20uf	40	70	35	65
	25uf	40	95	40	70
	30uf	40	95	40	70
	35uf	45	95	40	70
	40uf	45	95	40	70
45uf	50	106	40	95	
50uf	50	106	40	95	
55uf	50	106	45	95	
60uf	50	106	45	95	
70uf	50	116	50	106	
80uf	55	120	50	106	
90uf	55	120	50	106	
100uf	55	120	50	106	
Pins and cable with U bottom	Capacity (uf)	450VAC			
		D(mm)	H(mm)		
	2uf	30	50		
	3uf	30	50		
	4uf	30	50		
	5uf	30	50		
	6uf	35	70		
	6.3uf	35	70		
	7uf	35	70		
	8uf	35	70		
	9uf	35	70		
	10uf	35	70		
	12uf	35	70		
	12.5uf	35	70		
	14uf	40	70		
	16uf	40	70		
	18uf	40	70		
	20uf	40	70		
	25uf	45	70		
	30uf	45	70		
35uf	45	90			
40uf	45	90			
45uf	45	90			
50uf	50	92			
55uf	50	92			
60uf	50	92			
70uf	50	119			
80uf	50	119			
90uf	50	119			
100uf	50	119			

- ▶ Several terminals you can choose, like pins, wire and cable
- ▶ The Specification Can Be According To Your Requirements Always Some Section Suits You

Motor Run Capacitor Dimensions:

	Capacity (uf)	450VAC		250VAC	
		D(mm)	H(mm)	D(mm)	H(mm)
2 wires type	1uf	30	50	30	50
	2uf	30	50	30	50
	3uf	30	50	30	50
	4uf	30	50	30	50
	5uf	30	50	30	50
	6uf	30	50	30	50
	7uf	30	50	30	50
	8uf	35	60	30	50
	9uf	35	60	30	50
	10uf	35	60	30	50
	12uf	35	70	35	60
	14uf	35	70	35	60
	15uf	40	70	35	60
	16uf	40	70	35	60
	18uf	40	70	35	60
	20uf	40	70	35	60
	25uf	45	70	35	70
	30uf	45	70	40	70
	35uf	45	93	40	70
	40uf	45	93	40	70
45uf	50	92	45	70	
50uf	50	92	45	93	
55uf	50	92	45	93	
60uf	50	100	45	93	
70uf	50	120	50	90	
80uf	55	120	50	90	
90uf	55	120	50	100	
100uf	55	120	50	100	
2 wires with full resin	Capacity (uf)	450VAC			
		D(mm)	H(mm)		
	1uf	30	50		
	2uf	30	50		
	3uf	30	50		
	4uf	30	50		
	5uf	30	50		
	6uf	30	50		
	7uf	35	60		
	8uf	35	60		
	9uf	35	60		
	10uf	35	60		
	12uf	35	70		
	14uf	35	70		
	15uf	40	70		
	16uf	40	70		
	18uf	40	70		
	20uf	40	70		
	25uf	45	70		
	30uf	45	70		
35uf	45	93			
40uf	45	93			
45uf	50	92			
50uf	50	92			
55uf	50	92			
60uf	50	100			
70uf	50	120			
80uf	55	120			
90uf	55	120			
100uf	55	120			

- ▶ Several terminals you can choose, like pins, wire and cable
- ▶ The Specification Can Be According To Your Requirements Always Some Section Suits You

CBB61

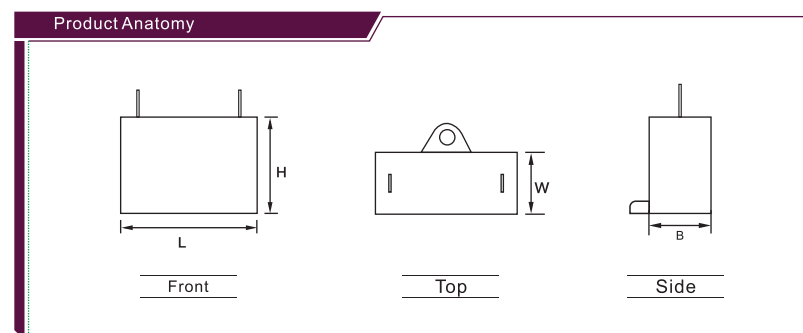
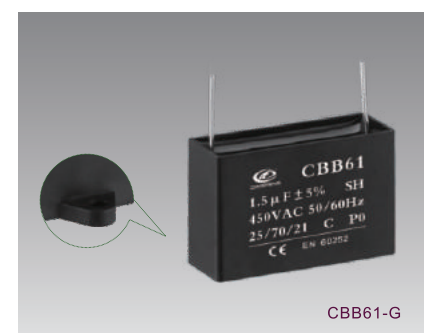
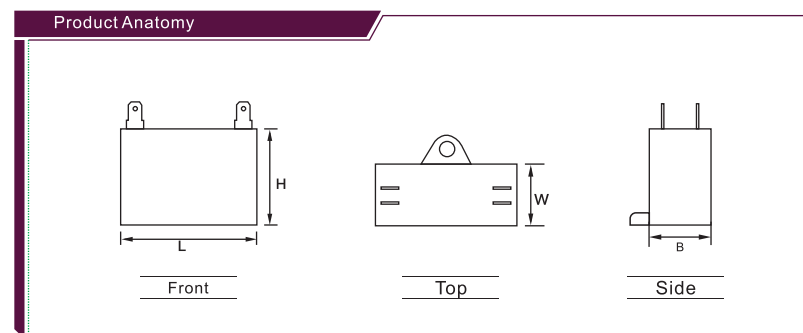
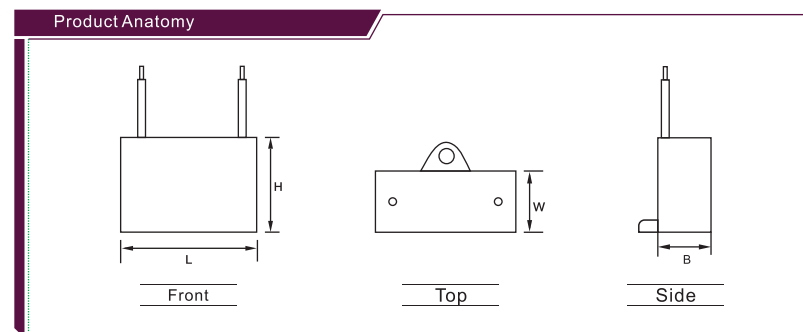
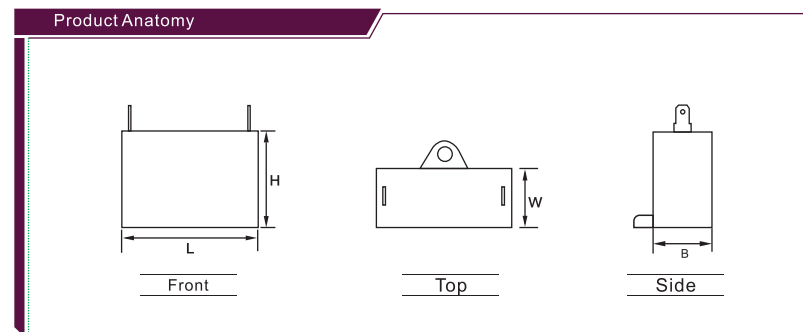
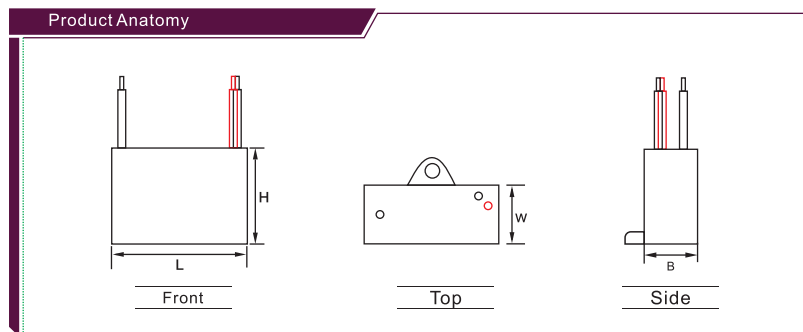
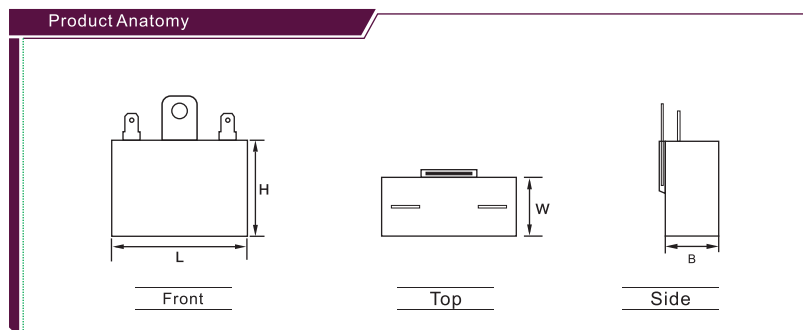
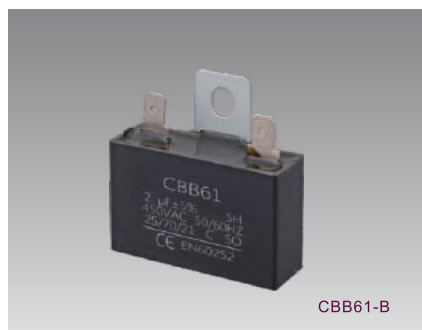
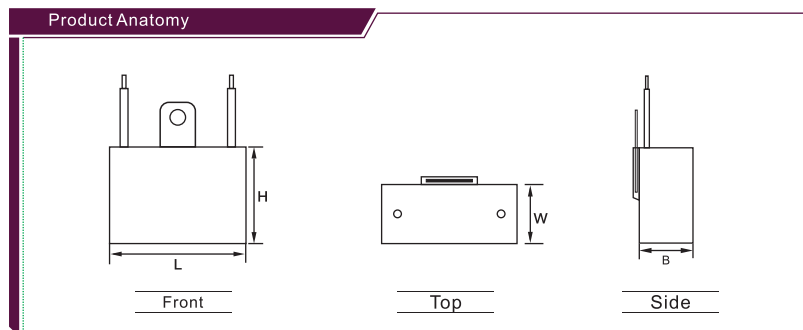
AC MOTOR CAPACITOR

Main technical parameter :

Working Temperature Range:	40 — +70C
Rated Voltage Range:	200–500Vac
Rated Capacitance Range:	1–40MFD
Dissipation Factor:	Tan<0.002 (50Hz)
Rated Tolerance of capacitance:	±5%
Withstand voltage:	intensity Pole–pole Rated voltage × 2/10s Pole–Shell x 2+1 000V Min 2000V . AC Insulation resistance T–T RC> 4000S
Reference standard:	EN 60252

Motor run capacitors features :

- ▶ None induction winding structure of metallic polypropylene membrane. Use square plastic shell, and insulation sealed lid for sealing, plastic lid for sealing or resin for sealing.
- ▶ Small volume, light weight, low loss, excellent self-healing performance. Copper soldering terminal, plastic coated copper wire and CP wire are available.
- ▶ With its good self-healing characteristic, long-life span and high proportionality, it is widely used as the start-up and running capacitor. That is specially for electric fan, air-conditioner, electric water pump and electric motor etc.
- ▶ With frequency 50/60Hz, voltage 250VAC, and can help motors start and run.
- ▶ It can continuously operate under rated conditions



**Motor Run Capacitor
Dimensions:**

Capacity (uf)	450VAC			250VAC		
	L(mm)	W(mm)	H(mm)	L(mm)	W(mm)	H(mm)
1uf	36	11	22	32	10	20
1.2uf	36	11	22	32	10	20
1.5uf	37	13	23	32	10	20
1.8uf	37	13	23	32	10	20
2uf	37	13.5	24	32	10	20
2.2uf	37	15	25	32	10	20
2.5uf	37	15	25	32	10	20
3uf	38	15.5	25	36	11	22
3.3uf	37	17	28	36	11	22
3.5uf	38	18.5	29	36	11	22
4uf	47	17	28	37	13	23
4.5uf	47	17	28	37	13	23
5uf	47	17	28	37	13.5	24
6uf	47	19	31	38	15	25
7uf	47	20	37	38	17	28
8uf	48	23	35	38	17	28
10uf	48	23	35	38	20	31
12uf	47	25	43	47	17	28
15uf	58	25	42	47	19	31
16uf	58	25	42	47	19	33
18uf	58	32	44	47	23	35
20uf	58	32	44	47	25	35
24uf	58	32	44	58	25	42
25uf	58	28	50	58	25	42
30uf	58	31	57	57	32	44
35uf	58	31	57	57	32	44
40uf	58	31	57	58	31	57

2(4)pins and wires

CBB61 3 PINS	MFD	450VAC		
		L(mm)	W(mm)	H(mm)
1.5uf,350V	36	11	22	
2uf,350V	36	13	22	
2.5uf,350V	37	13.5	24	
3uf,350V	38	15	26	
3.5uf,350V	38	17	28	
4uf,350V	38	17	28	

PACKING OPTIONS:

 Packing one:
Packed with individual box

 Packing two:
Packed with 50 or 100pcs/box

- Several terminals you can choose, like pins, wire and cable
- The Specification Can Be According To Your Requirements Always Some Section Suits You

CBB80

AC MOTOR CAPACITOR

CBB80 series

► This range of capacitor is suitable for fluorescent lamps, high or low-pressure sodium lamps, mercury lamps and metal halide lamps functioned as power factor compensation. They are constructed with self-healing metalized polypropylene dielectric. An attractive feature is the quickfit addition to the mould case.

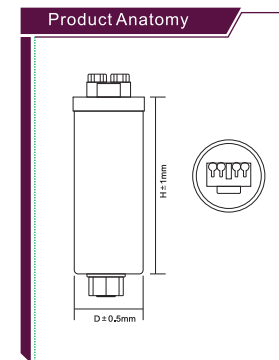
► Lamp capacitor or light capacitor is ideally energy-saving lighting capacitor, is non-inductively wound with metalized polypropylene film as the dielectric/electrode with encapsulated in a plastic/aluminum case sealed with epoxy resin.

Lighting capacitor Specification

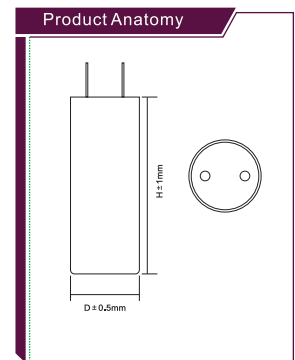
Working Temperature Range	40/85/21
Rated Voltage Range	250-450VAC
Rated Capacitance Range	3-55MFD
Dissipation Factor	Tan=0.002 (50Hz)
Rated Tolerance of capacitance	± 5%, ± 10%
Testing voltage	between leading-out ends: 1.75UR 10S no break down
Insulation resistance	between leading-out ends: > 3000MΩ



CBB80-A



CBB80-B


Lighting capacitor Dimensions:

Capacity (uf)	Rated voltage	Stec	
	VAC	D(mm)	H(mm)
3uf	250/400	30	60
4.5uf	250/400	30	60
8uf	250/400	30	60
10uf	250/400	30	60
15uf	250/400	30	80
18uf	250/400	30	80
24uf	250/400	30	90
32uf	250/400	42	70
35uf	250/400	42	70
55uf	250/400	42	90

CBB65 AC MOTOR CAPACITOR

Product characteristics

This capacitor takes heavy edge metalized AL/ZN PP film as dielectric,coiled by high speed winding machine,liquid filled aluminum case and protective device structure with. It is treated by using refined castor oiler wax as an impregnant in the high temperature and vacuum environment to make the capacitor more stable with long working life.Meanwhile basedon the principle of safety and proof-explosion,this kind of capacitors has been used the second age mechanical explosion prevent design to strengthen the reliability.The product adopts single and combined structures.

Usage method

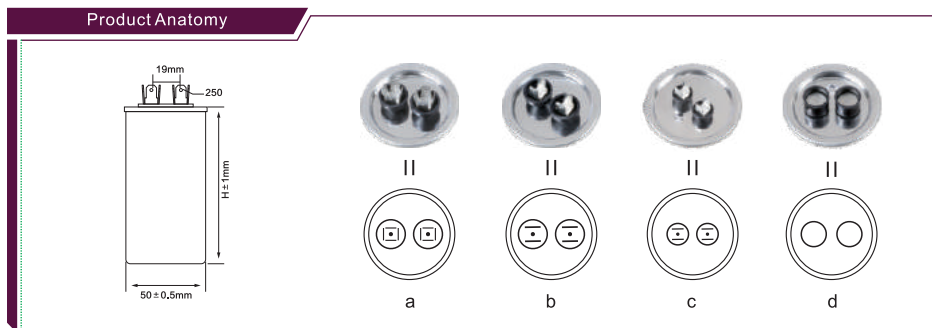
The products is suitable for home appliances like air--conditioners, aircoolers,freezers and washing machine.etc

Air conditioner capacitor Technical Specifications:

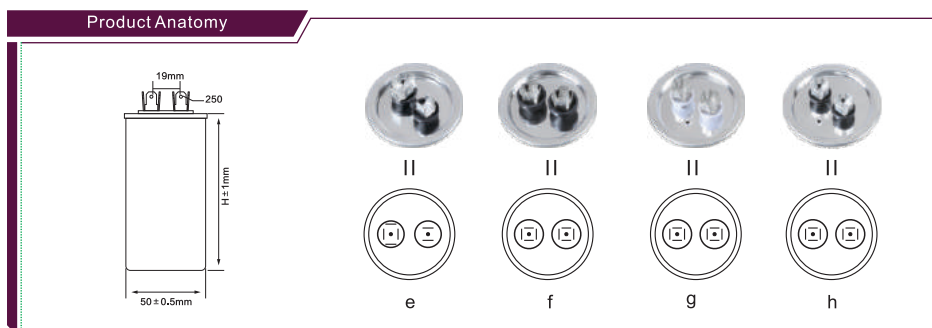
Working Temperature Range	40/70/21
Rated Voltage Range	250Vac,300Vac,370Vac, 440Vac
Rated Capacitance Range	3-100uF
Dissipation Factor	Tan<0.002 (50Hz)
Rated Tolerance of capacitance	±5%, + 10%
Testing voltage	between leading-out ends:1.75UR 10S no break down
Insulation resistance	between leading-out ends:≥3000MΩ . μ f
Safety class	PO,p1



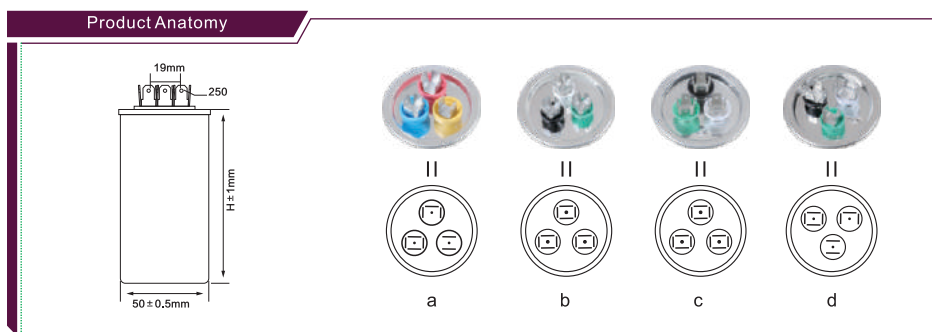
CBB65-A



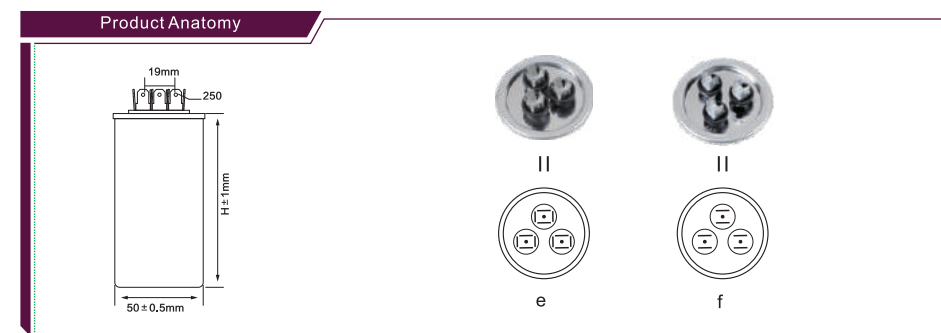
CBB65-A



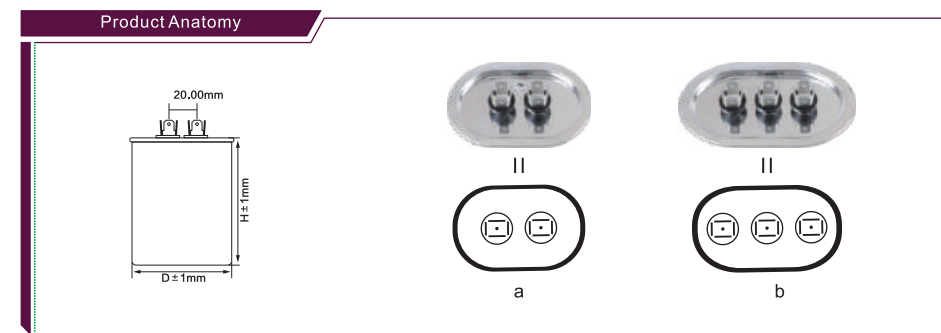
CBB65-B



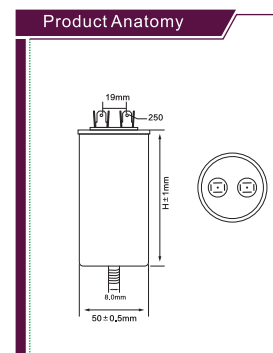
CBB65-B



CBB445



CBB65-C



PACKING OPTIONS:



Packing one:
Packed with individual box



Packing two:
Packed with 10pcs/box

Capacity (uf)	Round can		Oval can		
	D(mm)	H(mm)	L(mm)	W(mm)	H(mm)
370/450V					
5uf	40	60	51.5	31.5	60
7.5uf	40	60	51.5	31.5	60
10uf	40	60	51.5	31.5	60
15uf	40	70	51.5	31.5	85
20uf	40	75	51.5	31.5	70
25uf	45	75	71.5	45	80
30uf	50	85	71.5	45	85
35uf	50	85	71.5	45	85
40uf	50	85	71.5	45	100
45uf	50	100	71.5	45	100
50uf	50	100	71.5	45	100
60uf	50	110	71.5	45	110
70uf	50	125	71.5	45	110
80uf	50	125	71.5	45	110
30+5uf	50	100	71.5	45	110
30+6uf	50	100	71.5	45	110
35+5uf	50	100	71.5	45	110
35+6uf	50	100	71.5	45	110
40+5uf	50	110	71.5	45	120
40+6uf	50	110	71.5	45	125
45+5uf	50	125	71.5	45	125
45+6uf	50	125	71.5	45	125
50+5uf	50	125	71.5	45	125
55+5uf	50	125	71.5	45	130
50+7.5uf	50	125	71.5	45	130
60+5uf	50	130	71.5	45	130
65+5uf	50	130	71.5	45	130

CD60

AC MOTOR CAPACITOR

Product Description:

This kind of capacitors are developed and researched according to standard of American Electronics Association(ANSI/EIA-463).The external case of the capacitor is made of bakelite plasticized that its character are not only good insulating resistance and strong resistance damaged but also protecting electro-liquid as good sealed feature.It is popular used for the super AC application as good life higher degree of reliability and stability.

Usage:

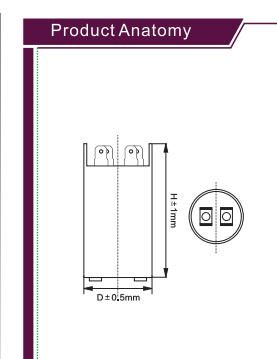
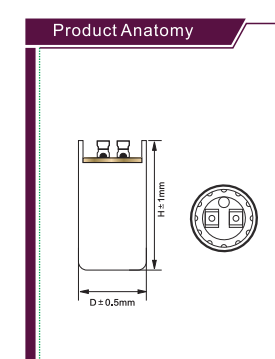
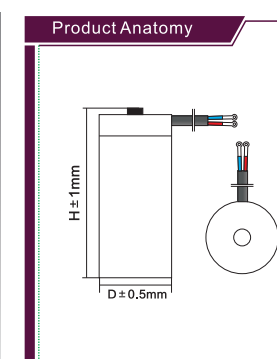
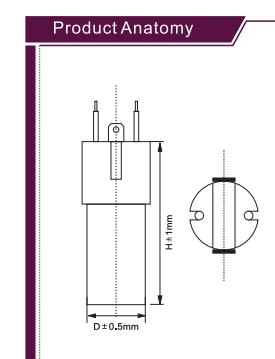
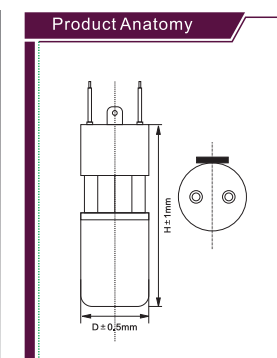
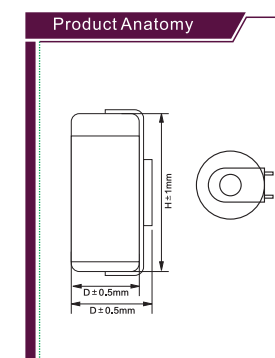
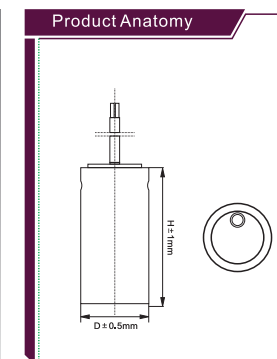
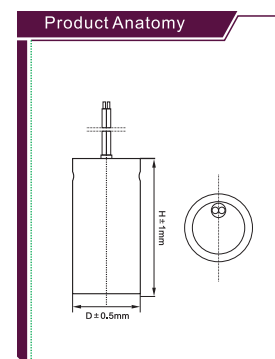
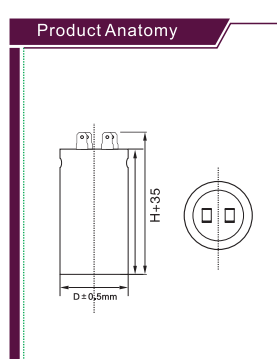
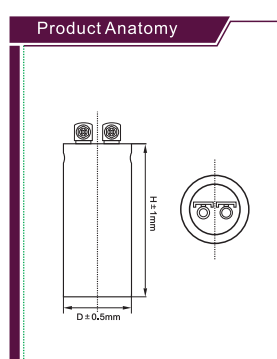
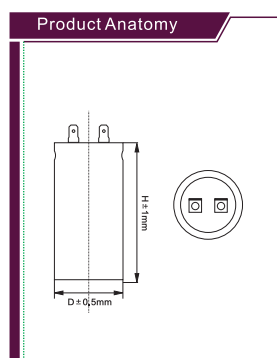
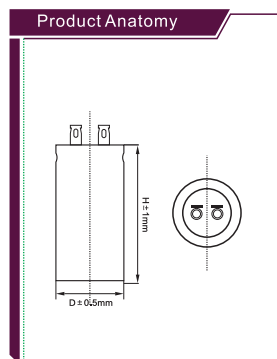
The motor start capacitor is range of AC electrolytic capacitors.These capacitors are most often used to provide the torque necessary to start Ac motors and in other intermittent AC applications.

Features:

- Tow 25",6.35mm.Quick connect terminals
- Round moisture and oil resistant plastic case
- Quick disconnect terminals
- Recessed terminals
- Long life and high reliability

Features:

Working Temperature Range:	-10--+60°C
Rated Voltage Range:	100v-330v
Rated Capacitance:	21-1280mfd
Dissipation Factor:	Tanδ≤0.001 (50Hz)
Rated Tolerance of capacitance:	-10% - +20%
Without Voltage Between Terminal:	Apply 1.25times working voltage for 2S Without break down or explosion
Withstand voltage Between Terminal And case:	2000VAC for 10seconds without break down or explosion



Motor Run Capacitor Dimensions:

	Capacity (uf)	D (mm)	H (mm)		Capacity (uf)	D (mm)	H (mm)
America type (Bakelite) 125VAC	88-108uf	36	70	America type (Bakelite) 220VAC	21-25uf	36	70
	108-130uf	36	70		36-43uf	36	70
	124-149uf	36	70		43-52uf	36	70
	130-156uf	36	70		47-56uf	36	70
	145-175uf	36	70		53-64uf	36	70
	161-193uf	36	70		64-77uf	36	70
	189-227uf	36	70		72-86uf	36	70
	216-259uf	36	70		88-108uf	36	70
	233-280uf	36	70		108-130uf	36	70
	243-292uf	36	70		124-149uf	36	70
	270-324uf	36	70		130-156uf	36	70
	324-389uf	36	70		145-175uf	36	70
	340-408uf	36	70		161-193uf	46	85
	378-454uf	36	85		189-227uf	46	85
	400-480uf	36	85		216-259uf	46	85
	430-516uf	36	85		233-280uf	46	85
	460-552uf	36	85		243-292uf	46	85
	540-648uf	36	85		270-324uf	46	85
	590-708uf	46	85		324-389uf	46	85
	645-774uf	46	85		340-408uf	46	85
708-850uf	46	85	378-454uf	46	85		
720-864uf	46	85	400-480uf	46	85		
829-995uf	46	85	430-516uf	46	85		
850-1020uf	46	85	460-552uf	46	85		
1000-1200uf	46	111	540-648uf	46	85		
1340-1608uf	46	111	590-708uf	46	111		
America type (Bakelite) 330VAC	36-43uf	36	85	645-774uf	46	111	
	43-52uf	36	85	708-850uf	46	111	
	47-56uf	36	85	720-864uf	46	111	
	53-64uf	36	85	829-995uf	46	111	
	64-77uf	36	85	850-1020uf	46	111	
	72-86uf	36	85	1000-1200uf	46	111	
	88-108uf	46	85				
	108-130uf	46	85				
	124-149uf	46	85				
	130-156uf	46	85				
	145-175uf	46	85				
	161-193uf	46	85				
	189-227uf	46	111				
	216-259uf	46	111				
	233-280uf	46	111				
	243-292uf	46	111				
	270-324uf	46	111				
	324-389uf	46	111				
	340-408uf	46	111				
	378-454uf	46	111				
400-480uf	46	111					

► Several terminals you can choose, like pins, wire and cable

► The Specification Can Be According To Your Requirements

Always Some Section Suits You

Motor Run Capacitor Dimensions:

	Capacity (uf)	D (mm)	H (mm)		Capacity (uf)	D (mm)	H (mm)
CD60 250V Aluminum type (pins/Cable/ 2 wires)	250uf	50	100	CD60 125V Aluminum type (pins/Cable/ 2 wires)	50uf	34	70
	300uf	50	100		75uf	34	70
	350uf	50	100		100uf	34	70
	400uf	50	100		120uf	34	70
	450uf	50	100		150uf	34	70
	500uf	50	100		180uf	34	70
	550uf	50	100		200uf	34	70
	600uf	50	100		250uf	34	70
	700uf	50	100		300uf	34	70
	800uf	50	100		350uf	34	70
	1000uf	50	100		400uf	34	70
	1200uf	50	100		450uf	42	70
CD60 330V Aluminum type (pins/Cable/ 2 wires)	50uf	34	70	500uf	42	70	
	75uf	34	70	550uf	42	70	
	100uf	34	70	600uf	42	70	
	120uf	42	70	700uf	42	80	
	150uf	42	70	800uf	42	80	
	180uf	42	70	1000uf	45	90	
	200uf	42	80	1200uf	45	90	
	250uf	42	80	50uf	42	80	
	300uf	50	100	75uf	42	70	
	350uf	50	100	100uf	42	70	
	400uf	50	100	120uf	42	70	
	450uf	50	100	150uf	42	80	
CD60 330V Aluminum type (pins/Cable/ 2 wires)	500uf	50	100	180uf	42	80	
	550uf	50	100	200uf	42	80	
	600uf	50	100				
	700uf	50	100				
	800uf	50	100				
	1000uf	50	100				
	1200uf	50	100				
	America type(plastic)	50-60uf	38	86			
		60-80uf	38	86			
		100-125uf	38	86			
		125-150uf	38	86			
		130-150uf	38	86			
150-200uf		38	86				
200-250uf		46	86				
250-300uf		46	86				
350-400uf		46	86				
400-450uf		46	86				
450-500uf		46	86				
500-600uf		46	86				
Compressor capacitor	SPP5uf	50	150				
	SPP6uf	50	150				
	80uf	40	100				
	100uf	40	100				

PACKING OPTIONS:



Packing one:
Packed with card slot



Packing three:
Packed with 10pcs/box



Packing two:
Packed with individual box

BSMJ

Shunt Capacitor of Self-healing

General Description

The low voltage shunt capacitor of self-healing produced by our company has applied the Zn-Al complex metalized film, which is the most advanced in our country at present. It also adopts the advanced foreign production technology and techniques as well as the leading-edge equipment from Japan and Korea. This kind of capacitor is produced strictly according to the international GB/T12747-2004 and the international standard of IEC60831-1(1996). It is mainly used for enhancing the power factor of the network, reducing the reactive loss and improving the voltage quality.

Using conditions

Indoor use only
Temperature range: -25°C~50°C
Humidity RH: <85
Altitude: <2000m

Installation places: No harmless gas and steamed gas; no inductive and explosive dust; no violent vibration.

Ventilation and heat emission: When more than two capacitors are mounted, the mounting gap shall be larger than 30mm. Furthermore, some effective measures for heat emission shall be taken during hotter times in summer.

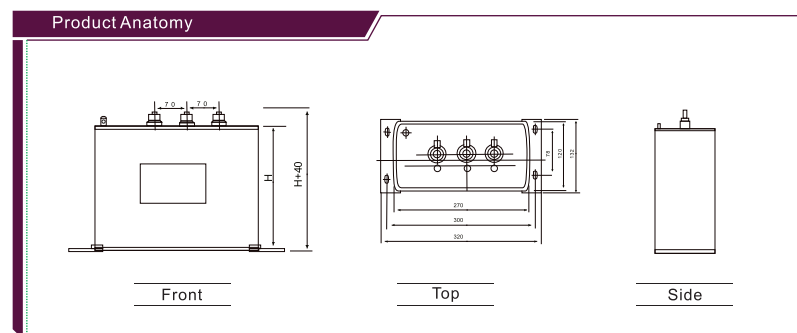
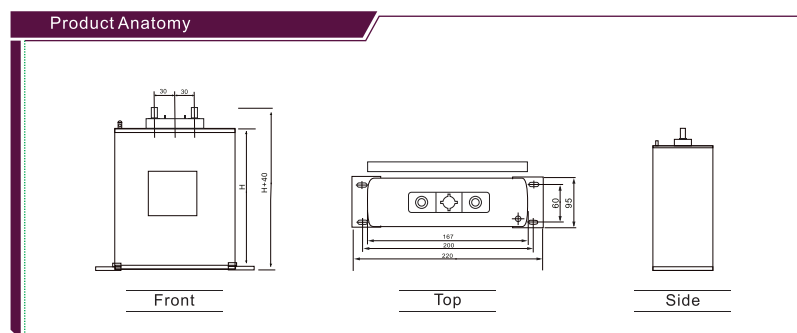
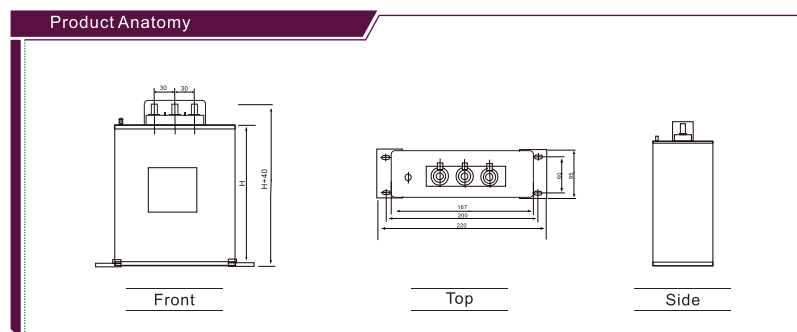
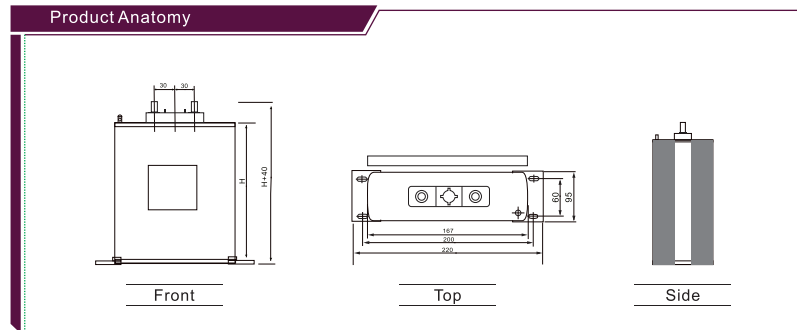
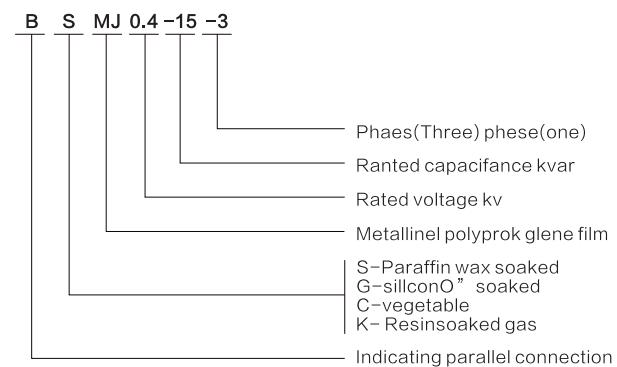
Technical parameters

Rated voltage :	230VAC 250VAC 400VAC 525VAC 690VAC 750VAC 1140VAC
Rated capacitance :	1-60kvar
Capacitance tolerance:	-5~+10%
Tangent of the loss angle :	≤0.15%
Inter-dynode voltage limit :	2.15Un.2s
Voltage limit between electrode shells :	3KV(AC)10s & 3.6KV(AC)2s
Insulation:	500VDC among the phases 1min more than 100M
Max allowable voltage:	110% of rated voltage
Max allowable current:	130% of rated voltage
Self-discharging characteristic:	Within 3 min after switching off the power supply, the rest voltage drops to 50V or below.

Features

1. Small volume, light weight: its volume and weight are only 1/4 or 1/5 of the previous products.
2. LOW loss: the angle tangent value of the actual loss is less than 0.01%, which contributes to the low energy consumption for the capacitor itself, little heat and small temperature rise. Therefore, its service life is longer and the energy conservation effect is better.
3. Excellent self-healing performance: When a part of the insulation is punctured through due to the over voltage, the product is capable of quick self-healing, which makes it continue to work as usual, thus the reliability is greatly improved.
4. Safety: it is equipped with self-discharging resistant and safety devices inside. The inner self-discharging resistant can discharge the attached electric power within the capacitor, so that the safety device can cut off the electricity supply in time once there is something wrong with the capacitor. Consequently, the malfunction is hindered from further development and the usage safety is ensured.
5. No oil leakage: the capacitor has applied advanced half-solid soak materials whose melting point is higher than 70°C. This kind of material is environmentally friendly, which avoids pollution. Furthermore, the capacitor will not lose efficacy because of oil leakage either.

Model and Implication





Shunt capacity of Self-healing(single)/three phases
0.4KV-0.415KV

Type	Company	Outline size	Installation dimension	Packing number
BSMJ0.4-2-3(1)	Station	167×57×130	185*40	10
BSMJ0.4-3-3(1)		167×57×130	185*40	10
BSMJ0.4-4-3(1)		167×57×130	185*40	10
BSMJ0.4-5-3(1)		167×57×130	185*40	10
BSMJ0.4-6-3(1)		167×57×130	185*40	10
BSMJ0.4-8-3(1)		167×57×130	185*40	10
BSMJ0.4-10-3(1)		167×57×130	185*40	10
BSMJ0.4-12-3(1)		167×57×180	185*40	10
BSMJ0.4-14-3(1)		167×57×180	185*40	10
BSMJ0.4-15-3(1)		167×57×180	185*40	10
BSMJ0.4-16-3(1)		167×57×180	185*40	10
BSMJ0.4-18-3(1)		167×57×180	185*40	10
BSMJ0.4-20-3(1)		167×57×210	185*40	10
BSMJ0.4-25-3(1)		167×85×210	200*60	6
BSMJ0.4-30-3(1)		167×85×210	200*60	6
BSMJ0.4-35-3(1)		167×85×250	200*60	6
BSMJ0.4-40-3(1)		167×85×250	200*60	6
BSMJ0.4-50-3(1)		167×85×290	200*60	6
BSMJ0.4-60-3(1)		270×120×200	300*78	2

Shunt capacity of Self-healing(single)/three phases
0.45KV-0.48KV

Type	Company	Outline size	Installation dimension	Packing number
BSMJ0.45-2-3(1)	Station	167*57*130	185*40	10
BSMJ0.45-3-3(1)		167*57*130	185*40	10
BSMJ0.45-4-3(1)		167*57*130	185*40	10
BSMJ0.45-5-3(1)		167*57*130	185*40	10
BSMJ0.45-6-3(1)		167*57*130	185*40	10
BSMJ0.45-8-3(1)		167*57*130	185*40	10
BSMJ0.45-10-3(1)		167*57*130	185*40	10
BSMJ0.45-12-3(1)		167*57*180	185*40	10
BSMJ0.45-14-3(1)		167*57*180	185*40	10
BSMJ0.45-15-3(1)		167*57*180	185*40	10
BSMJ0.45-16-3(1)		167*57*180	185*40	10
BSMJ0.45-18-3(1)		167*57*180	185*40	10
BSMJ0.45-20-3(1)		167*57*210	185*40	10
BSMJ0.45-25-3(1)		167*85*210	200*60	6
BSMJ0.45-30-3(1)		167*85*210	200*60	6
BSMJ0.45-35-3(1)		167*85*250	200*60	6
BSMJ0.45-40-3(1)		167*85*250	200*60	6
BSMJ0.45-50-3(1)		167*85*290	200*60	6
BSMJ0.45-60-3(1)		270*120*200	300*78	2



Shunt capacity of Self-healing(single)/three phases
0.525KV

Type	Company	Outline size	Installation dimension	Packing number
BSMJ0.525-2-3(1)	Station	167*57*130	185*40	10
BSMJ0.525-3-3(1)		167*57*130	185*40	10
BSMJ0.525-4-3(1)		167*57*130	185*40	10
BSMJ0.525-5-3(1)		167*57*130	185*40	10
BSMJ0.525-6-3(1)		167*57*130	185*40	10
BSMJ0.525-8-3(1)		167*57*130	185*40	10
BSMJ0.525-10-3(1)		167*57*130	185*40	10
BSMJ0.525-12-3(1)		167*57*180	185*40	10
BSMJ0.525-14-3(1)		167*57*180	185*40	10
BSMJ0.525-15-3(1)		167*57*180	185*40	10
BSMJ0.525-16-3(1)		167*57*180	185*40	10
BSMJ0.525-18-3(1)		167*57*180	185*40	10
BSMJ0.525-20-3(1)		167*57*210	185*40	10
BSMJ0.525-25-3(1)		167*85*210	200*60	6
BSMJ0.525-30-3(1)		167*85*210	200*60	6
BSMJ0.525-35-3(1)		167*85*250	200*60	6
BSMJ0.525-40-3(1)		167*85*250	200*60	6
BSMJ0.525-50-3(1)		167*85*290	200*60	6
BSMJ0.525-60-3(1)		270*120*200	300*78	2

Shunt capacity of Self-healing(single)/three phases
0.69KV

Type	Company	Outline size	Installation dimension	Packing number
BSMJ0.69-2-3	Station	167*57*130	185*40	10
BSMJ0.69-3-3		167*57*130	185*40	10
BSMJ0.69-4-3		167*57*130	185*40	10
BSMJ0.69-5-3		167*57*130	185*40	10
BSMJ0.69-6-3		167*57*130	185*40	10
BSMJ0.69-8-3		167*57*130	185*40	10
BSMJ0.69-10-3		167*57*130	185*40	10
BSMJ0.69-12-3		167*57*180	185*40	10
BSMJ0.69-14-3		167*57*180	185*40	10
BSMJ0.69-15-3		167*57*180	185*40	10
BSMJ0.69-16-3		167*57*180	185*40	10
BSMJ0.69-18-3		167*57*180	185*40	10
BSMJ0.69-20-3		167*57*210	185*40	10
BSMJ0.69-25-3		167*85*210	200*60	6
BSMJ0.69-30-3		167*85*210	200*60	6
BSMJ0.69-35-3		167*85*250	200*60	6
BSMJ0.69-40-3		167*85*250	200*60	6
BSMJ0.69-50-3		167*85*290	200*60	6
BSMJ0.69-60-3		270*120*200	300*78	2

BSMJ

Slit-phase shunt capacitor of self-healing

General description

With the development of reactive compensation technology, we can apply the method of respective three-phase switching of the capacitors for the three-phase unbalanced load, which means to compensate the reactive power by split phase. In this way, the accuracy of the compensation would be higher and the electricity-saving result would be better. It compensates the shut capacitor by split-phase. As the shell of the capacitor is designed without the neutral point to lead out the connecting terminals, the split phase switching of the capacitor can be conveniently achieved.

General description

As to the main features, technical indexes, using conditions, appearance and installation size of the product, please refer to the relevant conditions and parameters of low-voltage shunt capacitor of BSMJ series manufactured by our company.

Structure and connection

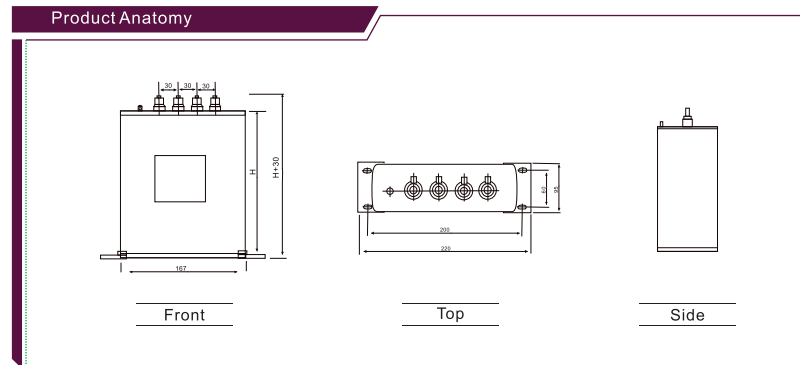
1. Three single-phase capacitors should be connected like Y, with the neutral point introducing out (mark N end), thus three single-phase capacitors are composed. The AN, BN and CN are independent units during operation.
2. Each independent unit is connected with discharge resistance respectively.
3. Each of the independent units is connected with a overvoltage buffer so that they can be cut off immediately if there is any damage.

Note: the three single-phase capacitor with independent units is also suitable for the split-phase compensation. It is small and convenient, which is deeply appreciated by the users.

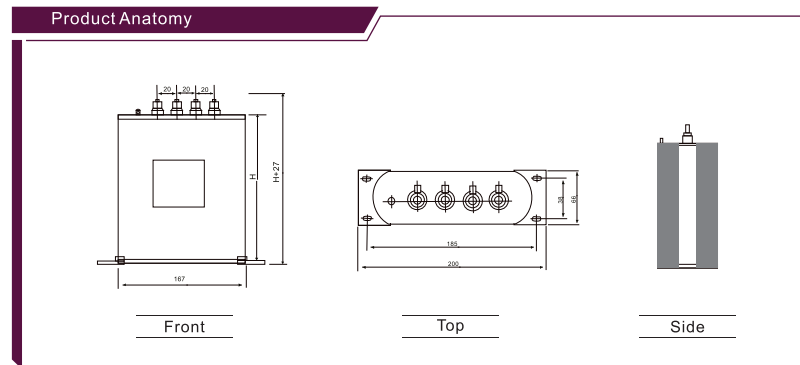
Note: other products with special models will be supplied according to the users' requirements.



BSMJ-E



BSMJ-F



Type	Company	Outline size	Installation dimension	Packing number
BSMJ0.23-3-1	Station	167*57*130	185*40	10
BSMJ0.23-5-1		167*57*130	185*40	10
BSMJ0.23-6-1		167*57*130	185*40	10
BSMJ0.23-8-1		167*57*180	185*40	10
BSMJ0.23-10-1		167*57*180	185*40	10
BSMJ0.23-12-1		167*57*180	185*40	10
BSMJ0.23-15-1		167*85*210	200*60	6
BSMJ0.23-16-1		167*85*210	200*60	6
BSMJ0.23-18-1		167*85*210	200*60	6
BSMJ0.23-20-1		167*85*210	200*60	6
BSMJ0.23-22-1		167*85*250	200*60	6
BSMJ0.23-24-1		167*85*250	200*60	6
BSMJ0.23-25-1		167*85*250	200*60	6
BSMJ0.23-30-1		167*85*290	200*60	6

Type	Company	Outline size	Installation dimension	Packing number
BSMJ0.23-3-3YN	Station	167*57*130	185*40	10
BSMJ0.23-5-3YN		167*57*130	185*40	10
BSMJ0.23-6-3YN		167*57*130	185*40	10
BSMJ0.23-8-3YN		167*57*180	185*40	10
BSMJ0.23-10-3YN		167*57*180	185*40	10
BSMJ0.23-12-3YN		167*57*180	185*40	10
BSMJ0.23-15-3YN		167*85*210	200*60	6
BSMJ0.23-16-3YN		167*85*210	200*60	6
BSMJ0.23-18-3YN		167*85*210	200*60	6
BSMJ0.23-20-3YN		167*57*210	200*60	6
BSMJ0.23-22-3YN		167*85*250	200*60	6
BSMJ0.23-24-3YN		167*85*250	200*60	6
BSMJ0.23-25-3YN		167*85*250	200*60	6
BSMJ0.23-30-3YN		167*85*290	200*60	6

Type	Company	Outline size	Installation dimension	Packing number
BSMJ0.4-10-3	Station	167*57*130	200*60	6
BSMJ0.4-15-3		167*57*180	200*60	6
BSMJ0.4-20-3		167*57*210	300*78	2
BSMJ0.4-25-3		167*85*210	300*78	2
BSMJ0.4-30-3		167*85*210	300*78	2
BSMJ0.4-35-3		167*85*250	300*78	2
BSMJ0.4-40-3		167*85*250	300*78	2
BSMJ0.4-50-3		167*85*290	300*78	2

DFMJ

Columniform capacitor of self-healing

Notice to orders

1.The rated voltage of the capacitor should be in accordance with the actual net voltage, and the increased voltage resulted from the capacitor should be taken into consideration. Usually, the actual net voltage would be much higher than the nominal voltage. If the voltage is too low, the service life of the capacitor would be greatly reduced. But it is not the higher, the better because the output of the capacitor will be enormously lower down if the high voltage is chosen while the actual voltage is relatively low.

3.If the capacitor is used in places of large harmonic wave, some measures of inhibiting the harmonic wave should be adopted, or the harmonic wave may become larger and may even cause resonance because of the capacitor, which would endanger the safety of the network and cause the damage to the capacitor. We can hardly see capacitors working without a series reactor of inhibiting harmonic wave abroad. Compared with the aluminum pole capacitor, the metalized capacitors are more likely to be damaged if being used without the method of inhibiting harmonic wave. Please pay special attention to that. Commutating facilities, middle- frequency devices, and power electronic devices (frequent regulator, controlled silicon voltage regulation, controlled equipment, inverting power devices and switching power supplies), furnace and magnetic iron-core equipment are all the sources of harmonic wave.

Features

Designed into column type and mini structure, this product can be installed in any direction. Providing strengthened safety protection, reinforced connection terminals and reactive compensation device parts, it is the first rank product that is more suitable for the power grid.

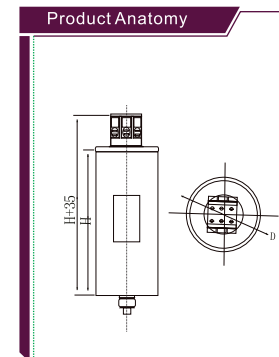
2.Do not test the capacitor is qualified or not by measuring the current. You should measure the capacitance of the capacitor. Three-phase capacitor: the actual measured capacitance between any two ends should be half of the total capacitance, which is marked on the capacitor with the error between -5 and +10%. Single-phase capacitor: the actual measured capacitance between the two ends should be equal to the total capacitance with the error between -5 and +10%.

4. The capacitance of the ground compensation capacitor should be controlled under a load of the excitation current of the generator, generally 0.9Io is considered suitable.

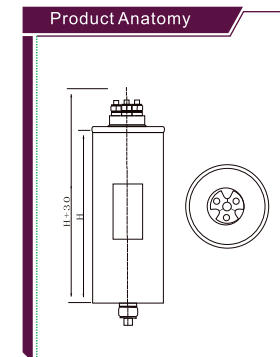
5. Never operate the capacitor and transformer in parallel connection under light load, or the net voltage will rise too much and it may also cause the iron core of the transformer to become saturated, which would result in harmonic waves and one of them might be enlarged by the resonance between the transformer and the capacitor. It can be very dangerous.



DFMJ-A



DFMJ-B



0.4KV Columniform capacitor of self-healing (0.4KV SERIES)

Type	Company	Outline size	Packing number
DFMJ0.4-5-3(1)	Station	76*175	6
DFMJ0.4-7.5-3(1)		76*175	6
DFMJ0.4-10-3(1)		76*245	6
DFMJ0.4-15-3(1)		96*245	6
DFMJ0.4-20-3(1)		106*245	6
DFMJ0.4-25-3(1)		116*245	6
DFMJ0.4-26-3(1)		116*245	6
DFMJ0.4-28-3(1)		116*290	6
DFMJ0.4-30-3(1)		116*290	6
DFMJ0.4-40-3(1)		136*290	6

Type	Company	Outline size	Packing number
DFMJ0.45-5-3(1)	Station	76*175	6
DFMJ0.45-7.5-3(1)		76*175	6
DFMJ0.45-10-3(1)		86*245	6
DFMJ0.45-15-3(1)		96*245	6
DFMJ0.45-20-3(1)		106*245	6
DFMJ0.45-25-3(1)		116*245	6
DFMJ0.45-26-3(1)		116*245	6
DFMJ0.45-28-3(1)		116*290	6
DFMJ0.45-30-3(1)		116*290	6
DFMJ0.45-40-3(1)		136*290	6